



Multilane Auger Filler

Model NMAF - M2 / M4

Servo Driven Auger Filler for multilane filling of powders, granulars, and flakes



NMAF-M2



NMAF-M4

Nalbach Engineering's Multilane Auger Fillers improve fill accuracy and dramatically reduce maintenance and downtime

The Multilane Auger Filler dispenses a single product from a common hopper with multiple separate and independently controlled augers / funnels and is ideally suited for multilane filling operations commonly found in the food, pharmaceutical, health and beauty aids, and chemical industries. The system features PLC controlled, servo driven motors and an easy-to-use operator touch screen interface.

The PLC controlled brushless, direct drive, servo motor system provides superior fill accuracy and reliability while dramatically reducing mechanical failures and downtime by eliminating most moving parts. The user-friendly graphical menu allows the operator to easily access the product memory for fast set-up and accurate control of all filling operations. The Models M2 & M4 are compact and economical systems designed for easy integration into most vertical, horizontal, and thermo form-fill-seal machines, as well as many other multiple lane production lines.

Nalbach multi-head systems can be configured to match virtually any multilane application. These variables include the number of dispensing / filling heads as well as center distances to compliment any multilane systems.

Benefits

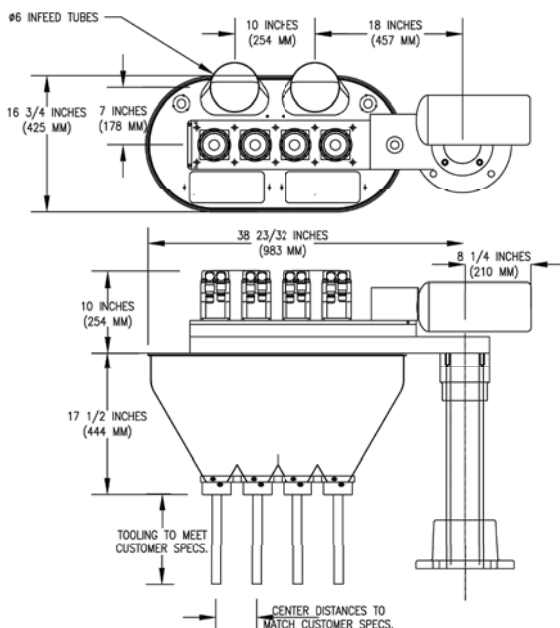
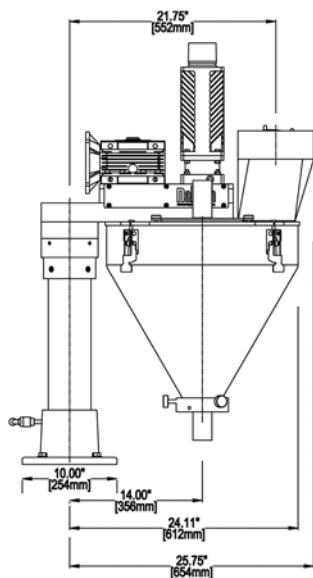
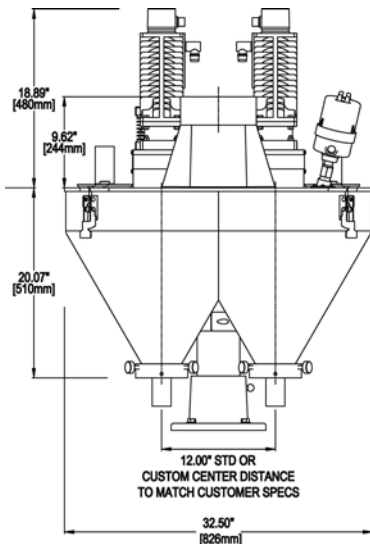
- Readily adaptable to most form, fill and seal machines.
- Fewer moving parts means less maintenance and less downtime.
- Touch screen with intuitive icon-based graphical user interface for greater accuracy and control.
- Servo motor shaft resolution of 1/5000 revolution delivers superior fill accuracy.
- Self centering hopper and funnel results in faster changeovers, and cleaning times.
- Empty hopper function for quick product changeover.
- Rugged construction, stainless steel contact parts and aluminum structural parts result in exceptional durability.
- Smart agitator technology to extend agitator life.
- The product memory is capable of storing filling parameters for over 60 products with one button recall.
- Weight setup software utility sets up fill parameters automatically.

About Nalbach Engineering Company

Founded in 1945, our Company has earned its dominant reputation for quality and performance in the design and manufacture of a complete line of powder filling equipment and plastic bottle unscramblers. In addition, we offer aerosol fillers, turnkey packaging lines, and system integration services. A member of PMMI since 1958, Nalbach Engineering has developed equipment for a widely diverse client roster of Blue Chip companies and has installed systems in 45 countries around the globe.



Dimensions



Touch screen user interface

The user friendly graphic menus allow the operator to easily access product memory for fast set-up and accurate control of all filling operations.

Software Features:

- Adjustable machine parameters
- Adjustable agitator speed
- Adjustable auger drive speed
- Adjustable acceleration and deceleration
- Auger jog
- Hopper empty
- Recycle timers
- Weight setup software utility sets up fill parameters automatically

Specifications

Electric and Controls

Display:

User-friendly touch screen

Electrical:

System voltage and frequency configured to meet customer specifications

Electrical Controls:

PLC - digital solid state

Enclosure:

NEMA 12 or optional NEMA 4

Filling Head

Auger Drive:

Brushless servo motor, direct drive rated for 3 HP (2.2 KW)

Auger Speed:

50 to 1,400 RPM

Agitator Motor:

Variable speed motor

Agitator Drive:

Direct gear belt drive

Construction:

Stainless steel and other FDA approved product contact parts

Speed and Accuracy

Filling Speed:

Up to 120 fills per minute

Filling Accuracy:

Up to ± 0.25% (.0025)

Optional Accessories

Level Control:

Signals infeed and controls product level

Conveyors:

Complete range of infeed and discharge conveyor types available

Vibration:

Air, motor, or magnetic bottom, side or step product settling systems

Checkweighers:

Checkweighers available for use with Active weight control system

PLC:

Various commercial PLC controllers are available

Specifications subject to change without notice.

Nalbach Engineering Company, Inc.

621 East Plainfield Road, Countryside, IL 60525 U.S.A.

Phone: 708/579-9100 • Fax: 708/579-0122

www.nalbach.com

© 2009 Nalbach Engineering Company, Inc.



NMAF-M2/M4 -B